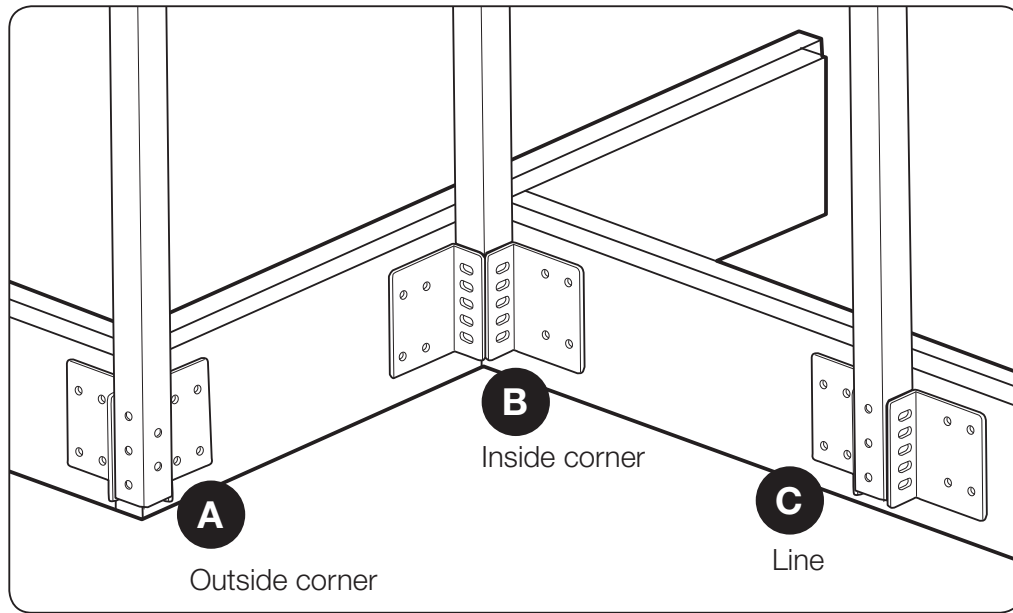
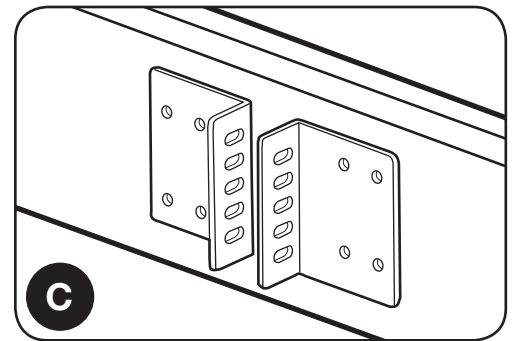
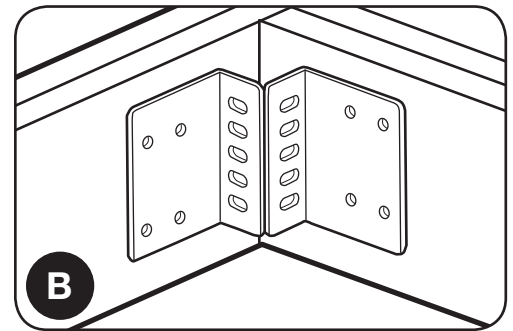
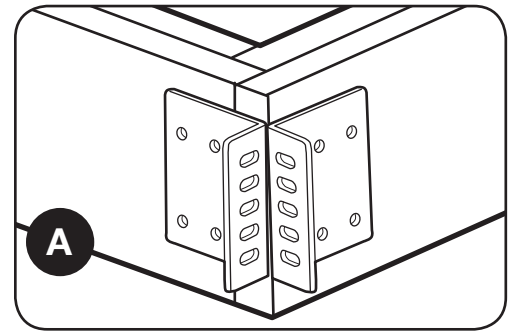


EXCALIBUR FASCIA MOUNT POST INSTALLATION INSTRUCTIONS - WITH BRACKETS

NOTE: It is the builder's responsibility to ensure that all code and safety requirements are met. Always consult your local Building Code Department for applicable regulations and product acceptance. RDI cannot be held liable for improper or unsafe installation. Visit www.rdirail.com or call our Customer Service Department at (877)420-7245 for more information. Always use proper safety precautions and wear safety goggles.

RDI Metal Works Posts must always be secured to the framing of the structure. Always wear eye protection during installation and read instructions before starting installation. Brackets and hardware SOLD SEPARATELY.

1. Always reinforce the fascia board with adequate blocking to ensure assembly exceeds load requirements.
2. Install Fascia mount posts allowing a minimum of 1.25" from the top edge of the Fascia Board to the first fastener. RDI recommends through bolting posts whenever possible. Check with local building codes for anchoring requirements.
3. Align post to ensure post is square to the deck surface. Place brackets according to picture A, B, or C for your desired application.
4. Mark the holes on the Fascia board and pre-drill holes using a 3/8" drill bit.
5. Align brackets as needed and fasten brackets to framing with appropriate 3/8" bolts.
6. Secure post in place using proper 3/8" fasteners and check for square (don't completely tighten until after the next step).
7. Using the supplied shims, square post to deck surface and secure post in place by tightening bolts to proper torque.
8. Follow instructions for Level and Stair panels to install appropriate brackets.



EXCALIBUR FASCIA MOUNT POST INSTALLATION INSTRUCTIONS - WITHOUT BRACKETS

NOTE: It is the builder's responsibility to ensure that all code and safety requirements are met. Always consult your local Building Code Department for applicable regulations and product acceptance. RDI cannot be held liable for improper or unsafe installation. Visit www.rdirail.com or call our Customer Service Department at (877)420-7245 for more information. Always use proper safety precautions and wear safety goggles.

RDI Metal Works Posts must always be secured to the framing of the structure. Always wear eye protection during installation and read instructions before starting installation. Brackets and hardware **SOLD SEPARATELY**.

1. Always reinforce the fascia board with blocking to framing meets load requirements.
2. Install Fascia mount posts with a minimum of 1.25" from the top edge of the Fascia Board to the first fastener. RDI recommends through bolting posts whenever possible. Check with local building codes for anchoring requirements.
3. Align post to ensure post is square to the deck surface.
4. Mark the holes on the Fascia board and pre-drill holes using a 3/8" drill bit.
5. Secure post in place using proper 3/8" fasteners and check for square.
6. Using the supplied shims, square post to deck surface and secure post in place and tighten bolts to proper torque.
7. Follow instructions for Level and Stair panels to install brackets.

